

Connectivity **Made Easy**



**ANT**labs

A Leading Internet Business Enabler



How do I manage the network resources effectively and **maximize my returns?**

My guests are bringing too many devices into my network. How do I manage them?

My subscribers are facing mobile data congestion in malls, trains and stadiums. How do I solve it?

I allow my staff to use their own tablets and smartphones at work. How do I enable that without compromising our network security?

How do I stem the loss of revenue to OTT providers?

How do I improve brand visibility and encourage customer loyalty using my WiFi service?



We understand your issues and concerns. We provide you the solution.

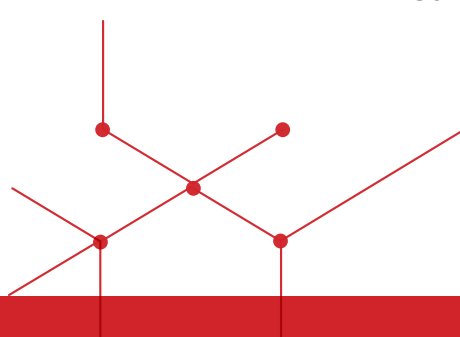
**Seamless Access**  
Zero configuration IP, GW, DNS, Web Proxy with auto-login

**Tiered Services & Pricing**  
Advanced QoS, Accounting, Price

**Reliability & High Performance**  
High Availability, Multi-WAN, Anti-DoS, Large User Count, Multi-Gbps Throughput

**Customer Engagement with Analytics**  
Relevant and real-time service delivery

**Flexible Account Provisioning**  
RADIUS, Accounting, Roaming, Credit Card, Social Media, etc



## IG 4



IG 4 supports the needs of guest networks such as hotels, waiting rooms, business centers and F&B. It is an all-in-one gateway targeted at hospitality, has advanced bandwidth management, more authentication methods, and analytics.

### For Medium to Large Hotels/Service Apartments

Model	4100	4210
Max User License	Unlimited*	Unlimited**
Max VLANs	500	2,000
Max Throughput	450 Mbps	946 Mbps
Max PPS	50,000	200,000

\*Hardware Capacity up to 800 users

\*\*Hardware Capacity up to 5,000 users

## SSG 4



SSG is designed to meet the connectivity service needs of Telcos and ISPs. It is the ideal carrier-class solution for deploying large-scale broadband networks with hundreds of thousands of subscribers.

### For Telcos and Internet Service Providers

Model	4330	4400
Max User License	30,000	50,000
Max VLANs	6,000*	6,000*
NIC	10 GE	10 GE

\* over three interfaces

## Tru'Auth 3



Tru'Auth is the ideal AAA solution for Telco, ISP and service provider environments, enabling them to effectively and quickly deploy tiered and differentiated services, across combinations of WiFi, 3G/4G and broadband networks. It can be used for provisioning and billing of dynamic and permanent user accounts and authentication, authorisation and accounting of these accounts.

### For Telcos and Internet Service Providers

#### TA (Tru'Auth AAA)

Model	3100	3200	3300	3400
Subscribers	500K	1M	2M	3M
Max Subscriber Sessions	250K	500K	1M	1.5M
Max TPS	500	1000	1500	2000
DB Records	500K	2.5M	10M	10M

#### CMS (Central Management System)

Model	3200	3300
CDR Logs	1.5B	4.5B
DB Records	100M	1B

## SG 4



SG 4 enables large venue owners to manage their own network easily with self-service account provisioning, multiple authentication methods, and traffic management.

### For Large Venues

Model	4210	4400
Max User License	10,000	30,000
Max VLANs	4,000	4,000
Max Throughput	9 Gbps*	9 Gbps
Max PPS	200,000	250,000

\* with 10GE Support

## Tru'IP



A highly reliable, scalable and proven product suite for carriers that provides internet-related services for their clients. Be it with Mobile Data through Mobile core, Carrier-Grade DHCP/DNS or ANTLabs Media Controller, the Tru'IP product family enhances user experience.

### For Telcos and Internet Service Providers

#### WAG (Wireless Access Gateway)

Model	4300
Max Tunnel Establishments	200K

#### MDC (Media Controller)

Model	4300
Max User License	20K
Max Throughput	2 Gbps

#### DDI (DHCP/DNS)

Model	3200	3300
IP Leases	500K	2M
Host Records	500K	2M

## Peripherals



#### EVI 2200 & 2300

The Ethernet Virtual Interface (EVI) is a network device that extends a unique network interface at the remote site to provide zero-configuration networking support over a Layer 3 routed network.

#### AP 2100

The user account printer provides hospitality establishments a quick and easy way to generate Internet access accounts for guest with a touch of a button.



## Hospitality

Hotels, Offices, Cafes & Restaurants

### PMS-Driven High-Speed Internet

- PMS-based authentication
- Automatic VIP recognition
- Internet utilization reporting via PMS

### Guest-Aware Bandwidth Optimization

- Bandwidth sharing through single account
- Guaranteed bandwidth allocation for premium customers
- Tiered pricing structure

### Social WiFi

- Easy logins via social media
- Reward 'likes' with free WiFi access
- Know your users and their preferences better



## Large Venue

MICE & Stadiums, Schools & Universities, Malls, Airports

### High Capacity Without Complexity

- Up to 2million accounts\*
- 120,000 concurrent transient devices\*

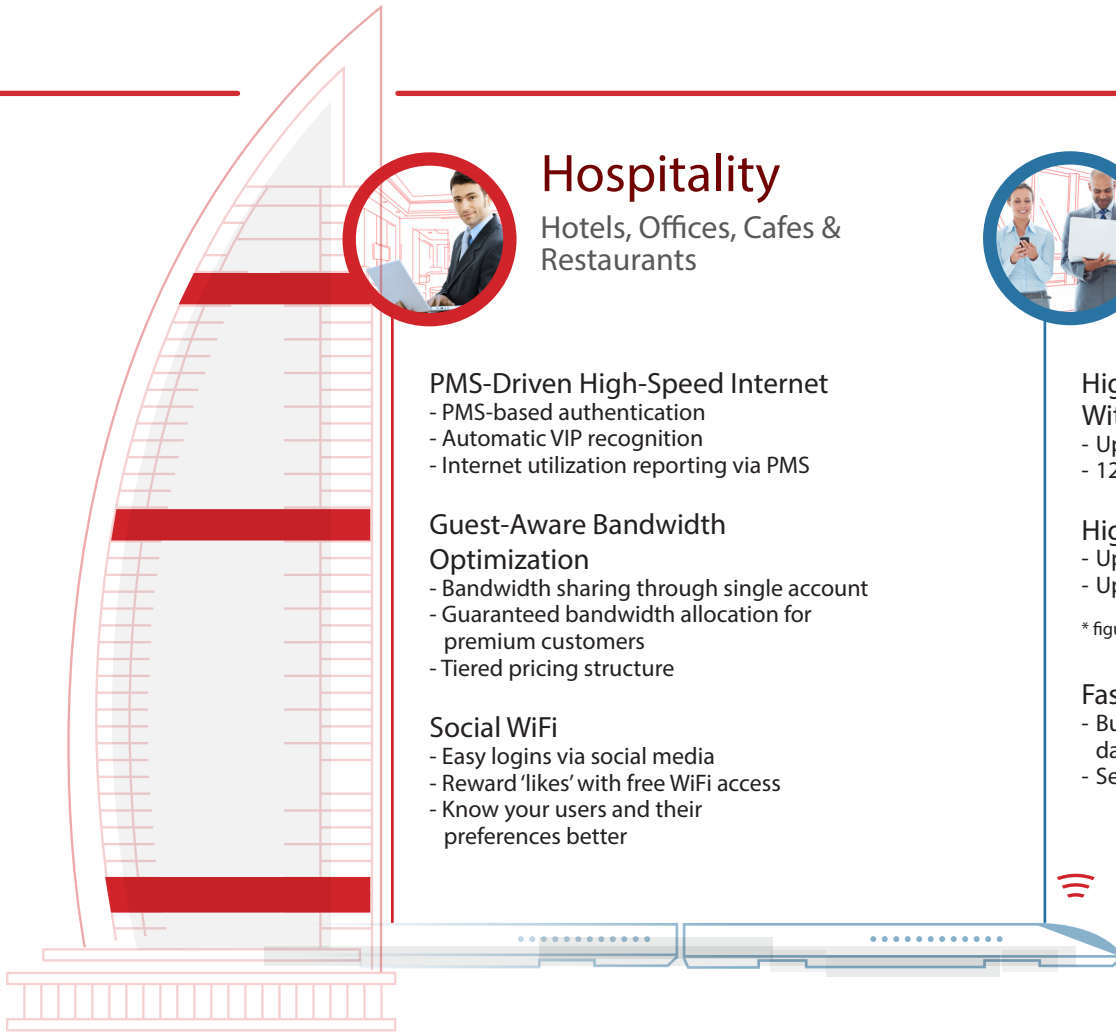
### High Performance

- Up to 40GB throughput\*
- Up to 1 million connections\*

\* figures shown are based on clustered setup

### Faster ROI

- Business analytics advanced data aggregation
- Self-service payment: credit card, prepaid



### Automatic Re-login

Tight Integration with PMS

Room no.

Last name

Social Media Integration

Login with

Self-service Payment

Credit Card

Prepaid

### Multi Device Support

#### Guest room (wired + wireless)

Suite Room

Ethernet Switch

#### Leisure Amenities (wireless)

- Poolside  
- Restaurants  
- Gym

Ethernet Switch

#### Reception Area (wireless)

- Lobby  
- Lounge  
- Restaurants

Ethernet Switch

#### Business Amenities (wired + wireless)

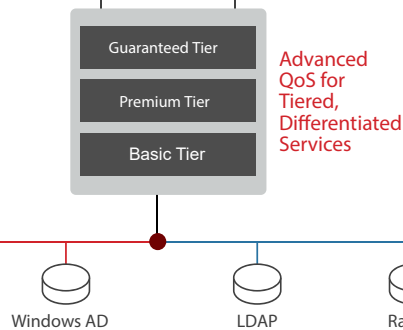
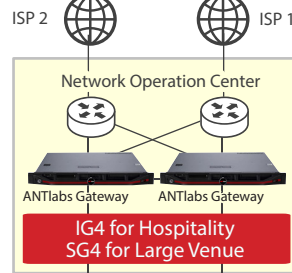
- Conference Room  
- Ballroom  
- Business Centers

Ethernet Switch

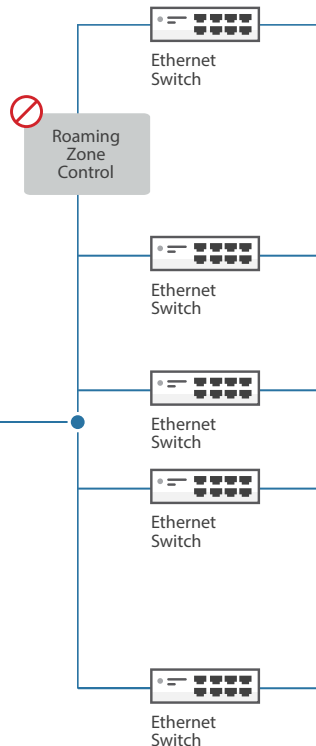


Account Printer  
Issue User ID/  
Password

### High Availability and with Multi-WAN Aggregation



### ANTLabs Cloud Services





## Cloud Services

Network Management, Analytics

### Network Health Monitoring

- Single dashboard
- Real-time snapshot
- Remote gateway access

### Central Portal Management

- Manage login pages in one place
- Add promotional banners
- Engage users while they are at your location

### Reports & Business Analytics

- User demographics & behavior insights
- Consolidated group reports
- Grow your database



## Carriers

ISPs, Telcos, WiFi Operators, MNOs & MVNOs

### Mobile Data & Voice Over WiFi

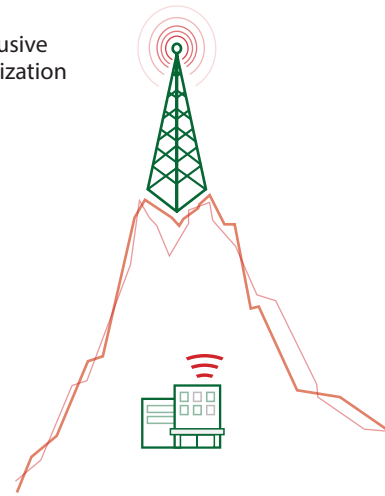
- Unified subscriber packages
- Intelligent offloading mechanisms
- Hotspot 2.0 compliant

### Data Analytics & Monetization

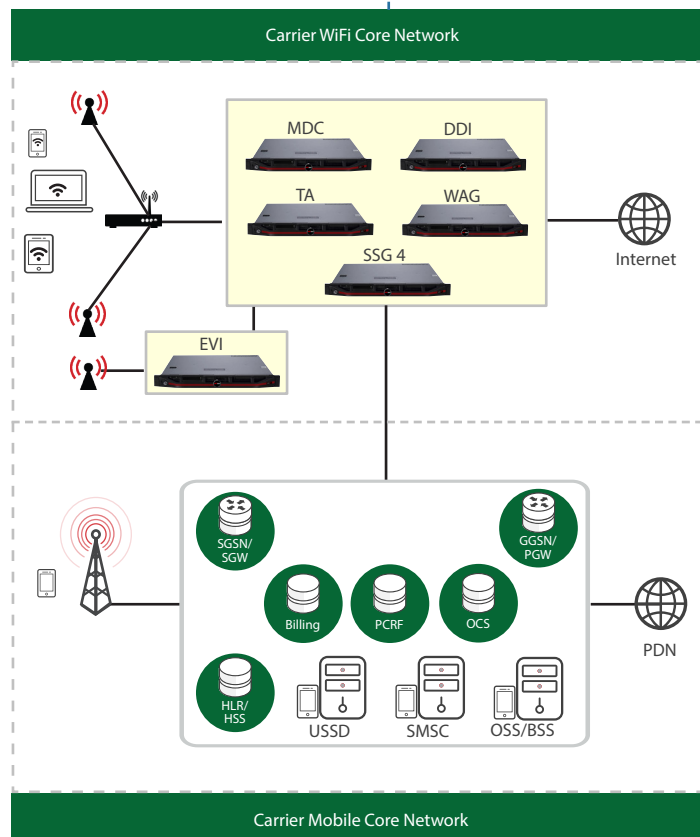
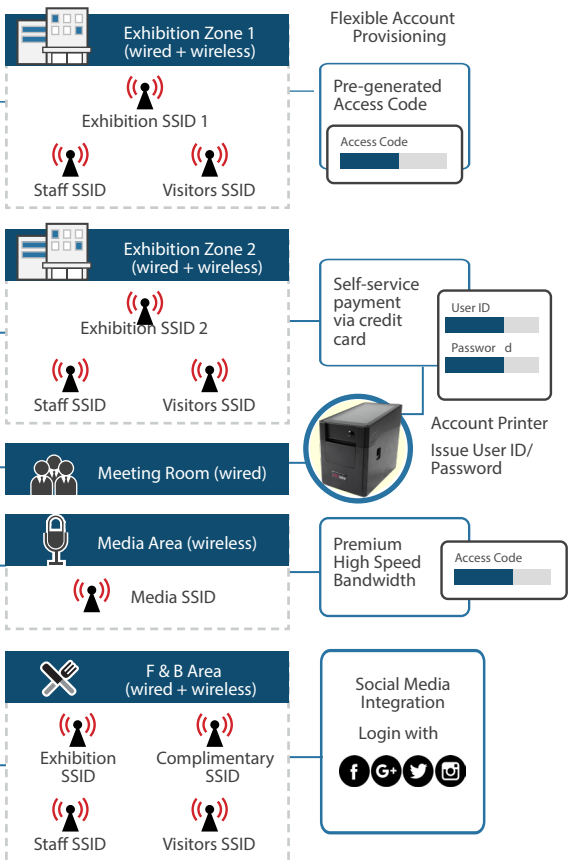
- Seamless information gathering
- Dynamic, interactive and unobtrusive
- Agile business models for monetization

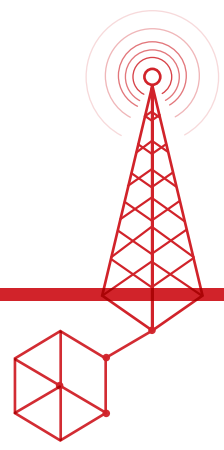
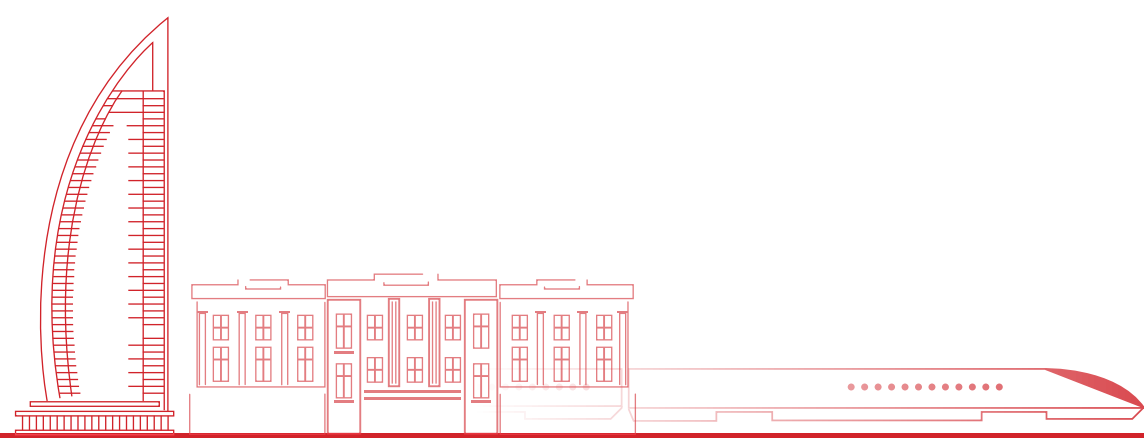
### Carrier-Grade Solutions

- NFV, COS & hybrid architectures
- Secure & scalable
- Customized solutions



### High Capacity





# ANTlabs

A Leading Internet Business Enabler

As the Asia Pacific market leader for service gateways, ANTLabs provides award-winning technology solutions for the hospitality sector, large venue network operators, and telcos.

Since 1999, our end-to-end solutions have driven viable business models and faster ROI for service providers. Our market leadership is a product of our strong in-house R&D, which focuses on transparent, vendor-neutral networking technologies while seamlessly integrating and reusing existing networks.

With more than 10 international patents in the US, Europe, Japan, China and Singapore, our technology leadership has been proven in large-scale Local Area Network and Metropolitan Area Network deployment over the years.

ANTLabs's solutions meet both current and future demands with scalability, telco-grade reliability, and enterprise-grade performance.

## Hospitality

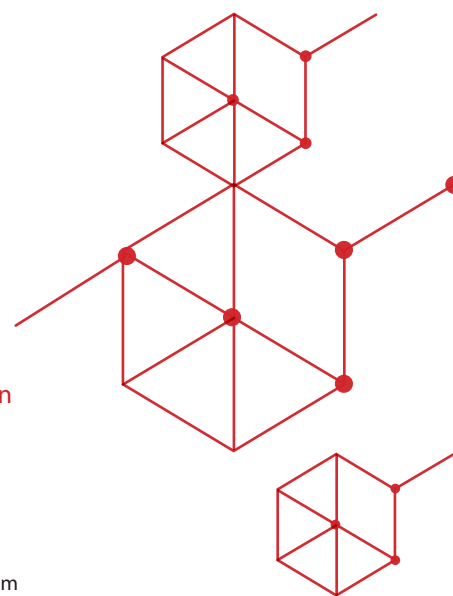
Our Hospitality solutions are a key business enabler for service institutions, such as hotels and service apartments, deploying High Speed Internet Access (HSIA) services for guests.

## Large Venue

ANTLabs is one of the leading network solutions providers for visitor-based solutions in MICE and stadiums, schools and universities, shopping malls, and airports.

## Carriers

Our Service Selection Gateways (SSG) and Value-Added Tru' Service Management Platforms have enabled Telcos and ISPs to enter the competitive market with great speed and confidence.



## Contact Information

Tel: +65 6858 6789  
Fax: +65 6487 4567

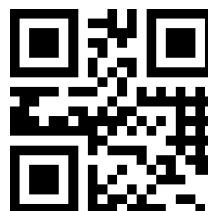
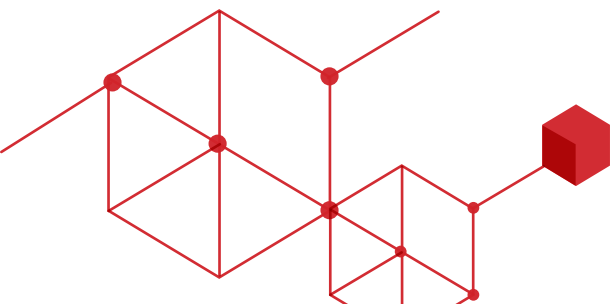
Sales Department  
Tel: +65 6858-6789  
E-mail: sales@antlabs.com

Technical Support  
Tel: +65 6100-SUPP (+65 6100-7877)  
For US Customers: +1-858-217-5147  
E-mail: tech-support@antlabs.com

 <https://twitter.com/antlabs>

 <https://www.facebook.com/antlabs>

 <https://www.linkedin.com/company/antlabs>



[www.antlabs.com](http://www.antlabs.com)