



AP 3100

The portable handheld Account Printer AP 3100 is an ANTLabs gateway peripheral product that offers establishments with visitor networks a quick and easy way to generate Internet access accounts for guests. It prints the user account login credentials with just a touch of the button on the user interface display screen.



Standard Features

- Integrates seamlessly into the standard ANTLabs gateway administration GUI
- One-touch generation of user accounts and simultaneous printout of login credentials.
- Programmable buttons can generate different types of user accounts with different levels of network access, usage duration and pricing, allowing you to offer different Internet service options for guests.
- Flexible and easily customizable print layout and design lets you import a corporate logo header and footer, greetings, usage instructions or terms and conditions on the login account slip.
- Comprehensive audit log for reporting, billing and accounting purposes ensures that all account generation transactions can be tallied and accounted for.

Business Scenarios

- The Account Printer is typically deployed in the business lounges or at the front desk of the hotel where guests and walk-in visitors can purchase prepaid Internet access over-the-counter from the staff
- Even hospitality establishments without a traditional Property Management System (PMS) to manage service billing operations can offer a charged Internet access service because the Account Printer keeps track of the Internet account transactions in a comprehensive audit log.
- The Account Printer can also be used to implement free self-service Internet access for MICE events where the guests themselves can generate personal login accounts on-demand.

Technical Specifications

Printing Mode

- Support wide 58mm * 40mm paper roll
- Built-in 200DPI high speed Thermal Printer
- Paper sensor: Photoelectricity

Dimension

- Printer: 191 (L) x 80 (W) x 46 (H) mm
- Box: 220 (L) x 90 (W) x 60 (H) mm

Weight

- Net: 420g
- Gross: 600g

Printer Type

- Thermal Paper Roll
- Paper width: 58mm
- Paper diameter: 40mm max

Display

- 5.5-inch TFT IPS LCD, resolution: 1280x720
- Operation method: capacitive touch screen

Others

- Wi-Fi Communications (802.11a/b/g/n 2.4Ghz / 5Ghz band)
- Power supply input: Micro USB, 5V/2A
- Powered by Lithium Battery Capacity: 2800mAh, 7.4V

User Interface

- Supports up to 12 customizable buttons

Ambient temperature

- 0~40° C

Compatible Models

- IG 4100, 4200, 4110 ,4210
- IG 3100
- InnGate 3.01, 3.02. 3.10
- SG 4200, 4300, 4210, 4400

Standard Accessories

- 1 x Power Adapter, 1 x Quick Start Guide and 1 x Type C for charging / data line

High Availability and with Multi-WAN Aggregation

Automatic Re-login

Tight Integration with PMS

Room no.

Last name

Social Media Integration

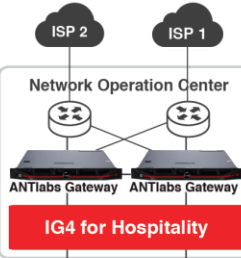
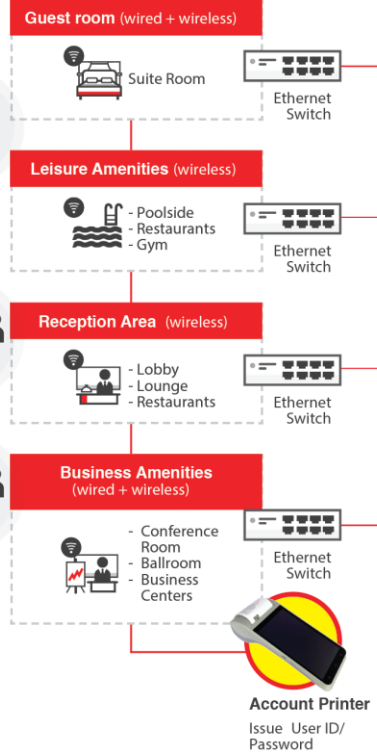
Login with Facebook, Instagram, Twitter, Google, Line

Self-service Payment

Credit Card

Prepaid

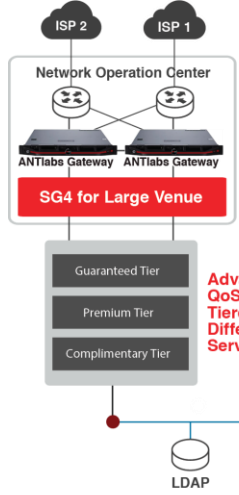
Multi Device Support



Windows AD

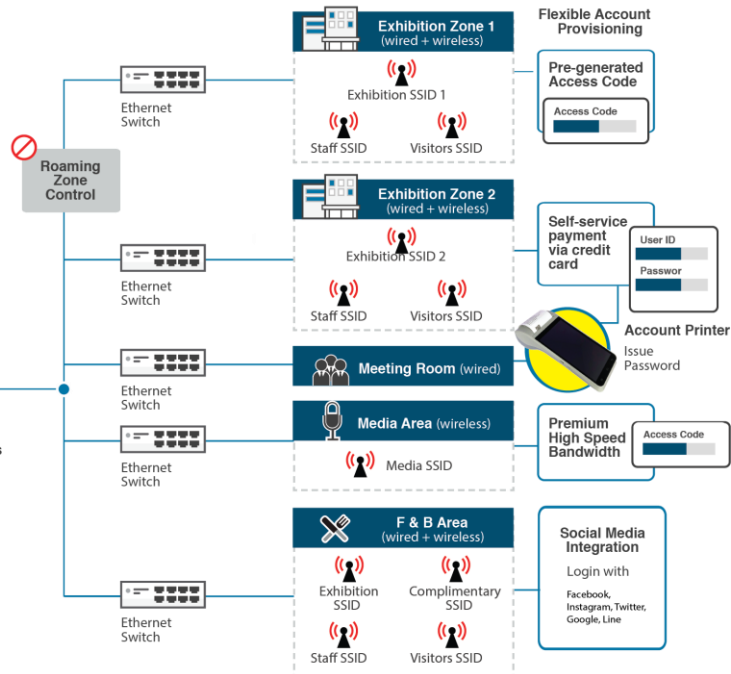
AP 3100 in the Hospitality Industry

High Availability and with Multi-WAN Aggregation



Advanced QoS for Tiered, Differentiated Services

High Capacity



AP 3100 in Large Venues